

Description

PTC heater can be used as both electric preheater and as electric after heater. PTC heater can be set at different maximum outputs (see wiring diagram), and this makes the PTC heater very flexible regarding operation area. The PTC heater is available in Ø100 mm, Ø125 mm and as illustrated below in Ø160 mm with duct connection.

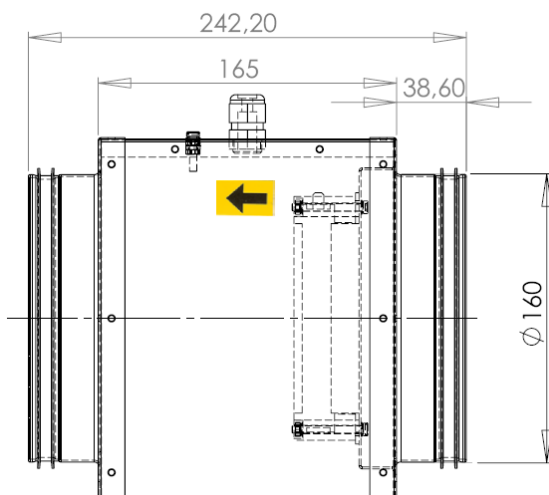
If the PTC heater is used as preheater, the installation of a **basic filter** before the heater is required. Alternatively, the **PTC heater with filter** can be used. (article no: 016001) .

Genvex recommends change of filter once a year.



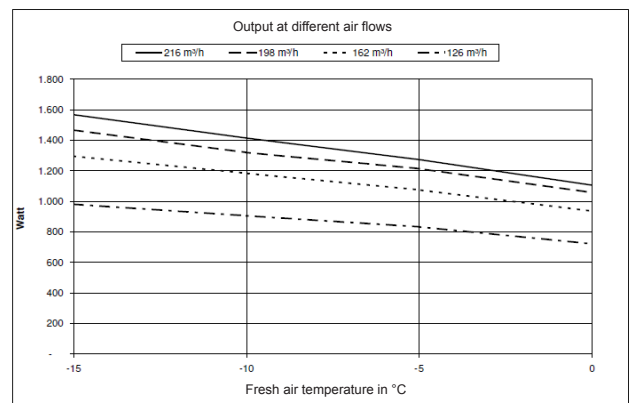
Dimensioned sketch (mm)

PTC heater in Ø160 is illustrated.



Capacity

The PTC heater supplies energy depending on the amount of air blown through. The graph below illustrates 1/1 output.



Wiring diagram

